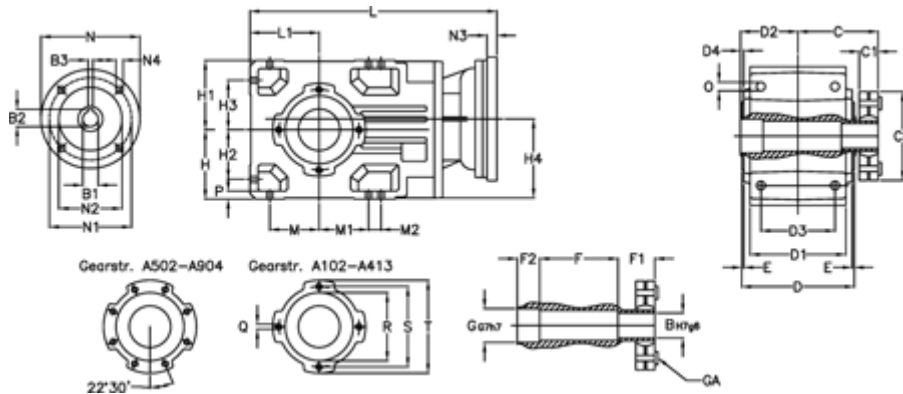


Data Sheet



Article number: 29600101395240
 Description: Bevel helical gearbox
 A102US-13,9-P100B5

Measures



| | | | | |
|-----------|---------------------------------|--------------|-----------|-------------|
| B = 30 | D1 = 95 | F2 = 36 | L = 312.0 | N3 = - |
| B1 = 28 | D2 = 60 | G = 32 | L1 = 70 | N4 = M12x16 |
| B2 = 31.3 | D3 = 75 | GA = 14,5 NM | M = 50.0 | O = 9.5 |
| B3 = 8 | d4 = 4.5 | H = 70 | M1 = 50.0 | P = 9 |
| C = 89.5 | Description = A102US-xx-P100 B5 | H1 = 70 | M2 = - | Q = M8x12 |
| C1 = 23 | E = 3.0 | H2 = 50.0 | N = 250 | R = 80 |
| C2 = 72.0 | F = 77.5 | H3 = 50.0 | N1 = 215 | S = 100 |
| D = 117 | F1 = 36.0 | H4 = 83.0 | N2 = 180 | T = 120 |